



Like

Home

Origami Instructions

Printable Origami

Easy Origami

Origami For Kids

Origami Paper

Featured Articles

Articles & Info

Origami Folding Tips

Categories

Subscribe!

Search

Origami Videos

NEW Videos

Origami Videos

Featured Origami

Origami Cat

Origami Dragon

Origami Rose

Origami Flowers

Origami Boxes

Origami Animals

Origami Birds

Origami Stars

Origami Toys

Holiday Origami

Valentines Origami

Easter Origami

Halloween Origami

Christmas Origami

Amazing Origami

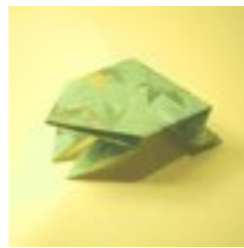
Amazing Origami

YOUR Origami

comp WINNERS

Disclaimer

Origami Jumping Frog Instructions



The Origami Jumping Frog is really easy to make... To make the frog jump to its best potential, use paper that's a bit thicker. You will need to use rectangular paper for this model

For a printable .pdf version of the jumping frog instructions, [click here](#).

You will need Adobe Reader installed on your computer in order to open the .pdf file. You can get Adobe Reader [here](#)

1 | Start Download (Free) - Print & Color Coloring Pages

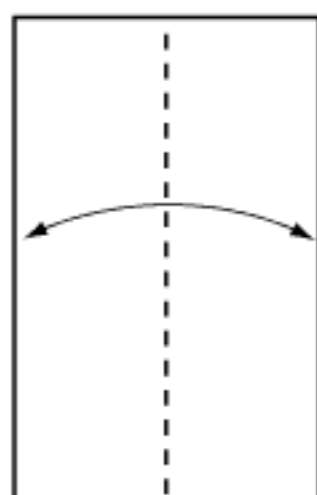
Get Coloring Hero App for OSX

coloringhero.com

2 | Download PDF (Free)

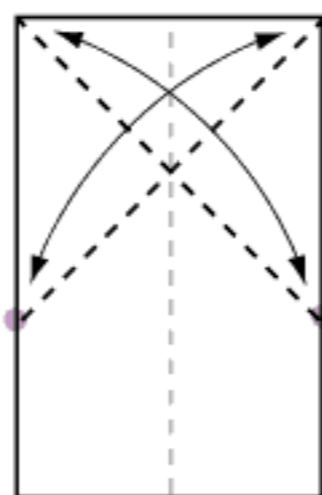
Download & Share Your Documents.

PDF King

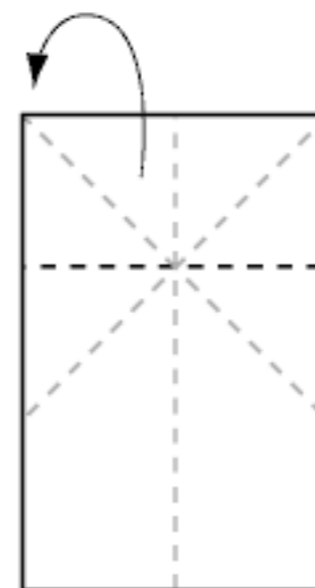


1. Start with a rectangular sheet of paper, white side up.

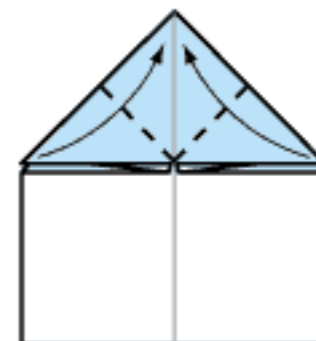
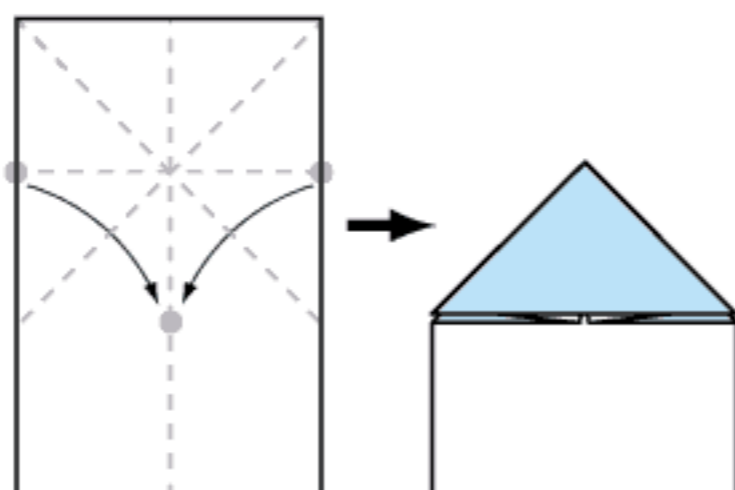
Fold it in half, and open out again



2. fold both top corners to the opposite edge of the paper then unfold. Your creases should look like this.



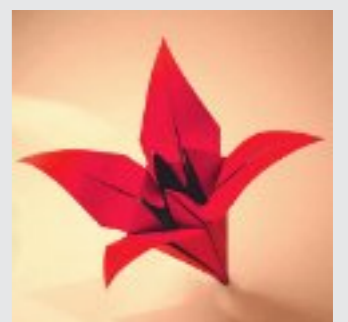
3. Where the diagonal creases meet in the middle, fold the paper backwards, crease well and open.



Popular Designs



Crane



Lily



Dragon



Box

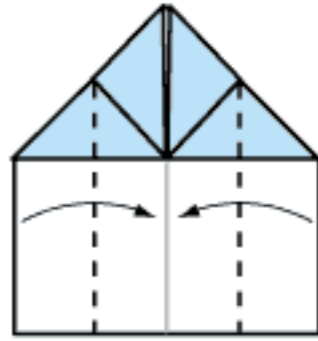


Heart

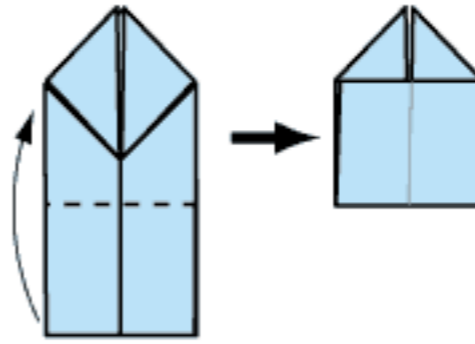
Share



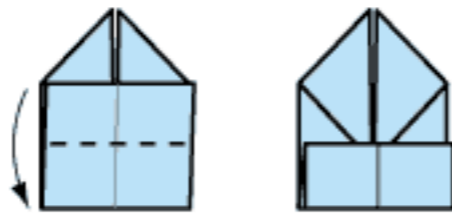
4. Hold the paper at the sides, bring these points down to the centre line, then flatten. The creases should do most of the work here!



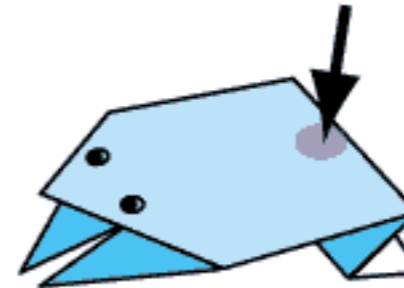
5. Fold the uppermost triangles up to the top point.



6. Fold sides in to the centre line.



7. Fold bottom of model upwards so the end sits in the centre of the top diamond.



8. Now fold the same part downwards, in half. Turn over, your Jumping Frog is finished!

To make him jump, press down on his back as shown.

[Browse other models like the origami jumping frog](#)



Jumping Frog

© Copyright 2019